

Keybox³

Power Management Enclosure



CANopen

J1939


BLINK MARINE


Compact and versatile; Keybox³ is a smart relay module for electric loads that permits the utilisation of Blink keypads where there are no PLC systems on board. Thanks to its CAN bus interface and high power outputs, Keybox³ can also be used in "slave" mode with complex systems.

4 Models Available

- KB³12V-05A: 12V 5A
- KB³12V-10A: 12V 10A
- KB³24V-05A: 24V 5A
- KB³12V-05-10A: 12V 5A/ 10A (mixed)

Electrical Features

- 11 switched circuits that include:
 - Momentary, toggle, time-out functions and digital input
 - Circuits rated up to 10A at 12V and 5A at 24V maximum continuous load (resistive)
 - 2 optional low-side circuits
- 2 solid-state switched circuits that include:
 - Momentary, toggle, time-out functions and digital input
 - Pulse-width modulation of output voltage for dimming capability
 - Circuits rated up to 3A maximum continuous load (resistive)
- Paralleable outputs (increases the current rating)
- Isolated relay outputs
- Replaceable automotive mini blade fuses for overcurrent protection
- Input undervoltage lock down and overvoltage protection

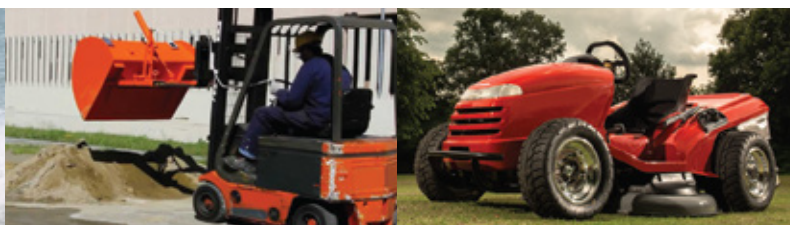
Environmental Features

- Operating ambient temperature: -40°C to +85°C
- Storage ambient temperature: -40°C to +85°C
- Humidity: 0 to 98% (non-condensing)
- IP67 enclosure

Special Features

- CAN-bus compatible (CANopen/J1939 compliance available)
- Field programmability of electrical functions and current limit trip points available to authorized OEMs and Value-Added Resellers (VARs)

blink
MARINE



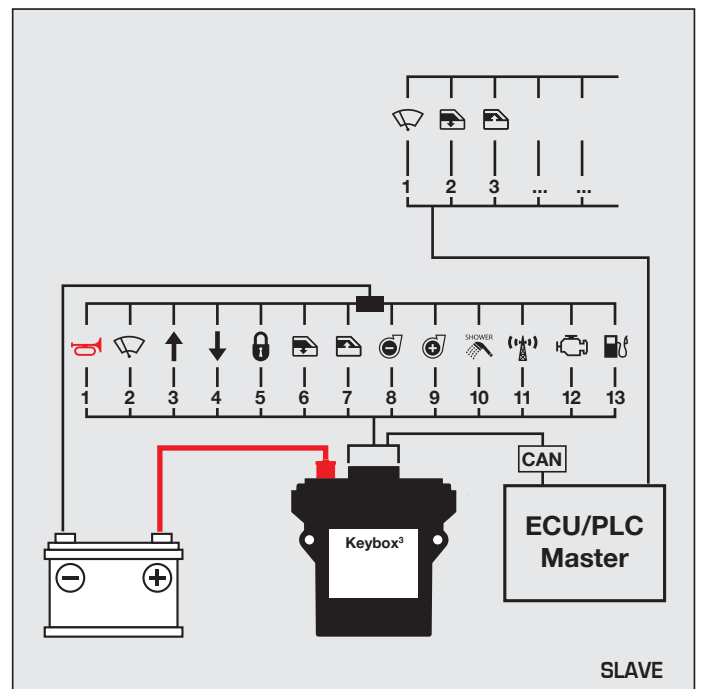
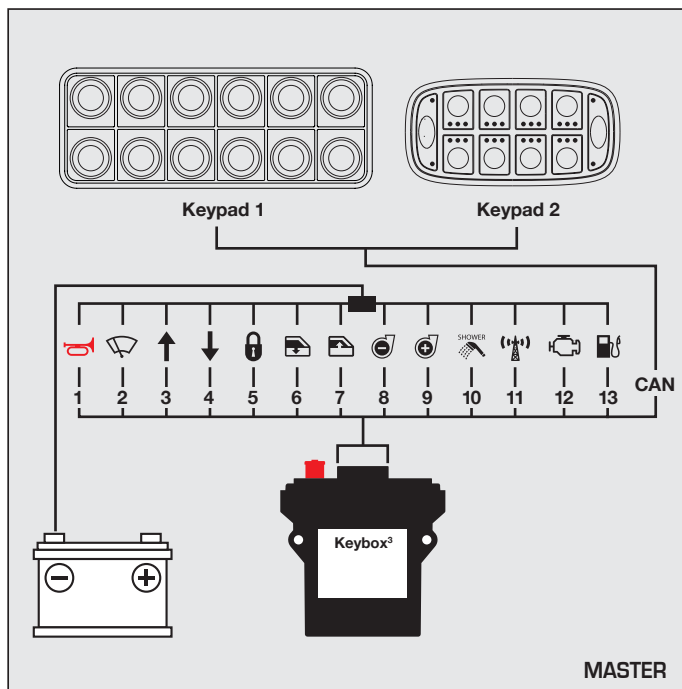
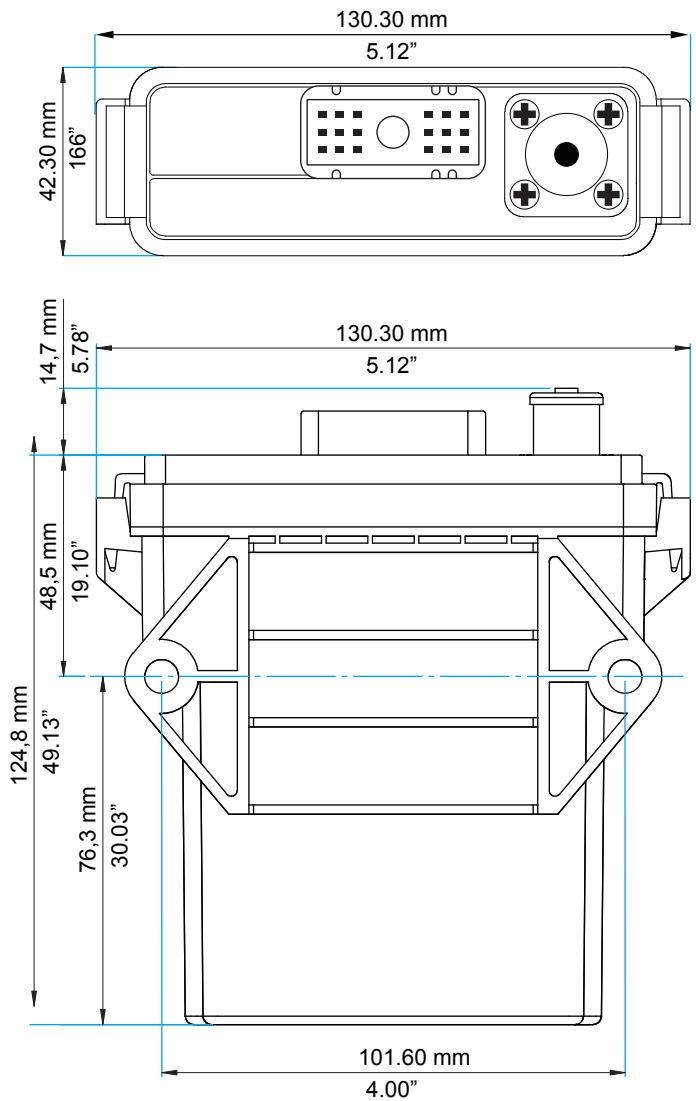
SPECIFICATIONS FOR KEYBOX POWER MANAGEMENT ENCLOSURE

ELECTRICAL	KEYBOX ³
Supply voltage	12V Nominal 9-16V or 24V Nominal 18-31V
Standby current	<30mA per PME
Load current	Max 5 A per output (resistive) @ 24V Max 10 A per output (resistive) @ 12V
Communication bus	CAN Bus, RS485 BUS
Circuit protection	Automotive mini blade fuse

MECHANICAL	
Connector	Cinch 581-01-18-038 & Amphenol SLPRA16CPSO
Mating connector	Cinch 581-01-18-023 with 425-00-00-873 & Amphenol SLPPA16BSO
Housing / cover	33% Glass Filled Polymer
PC board	1,6mm thick, Nema Grade FR-4, Double clad with 2oz copper

ENVIRONMENTAL	
Operating temperature	-40°C to +85°C
Storage temperature	-40°C to +85°C
Humidity	0 to 98% (no condensation)
Salt spray	96Hrs
Ingress Protection Rating	IP67

FEATURES	
Circuits	13
Size mm	135,4 x 130,3 x 42,3
Low volt sense & lock down	Optional
Sense pins levels	13
Dimming/PWM Features	Available on 2 outputs
Circuit status monitoring	Optional
Field re-programmable	Optional
External status communication on the bus	Optional
Pull down	2 Optionals
Weight	330 gr



Blink S.r.l.
Via Montefeltro, 6 - 20156 Milano - Italy
Tel. +39 02 3088583 - Fax +39 02 33406697
www.blinkmarine.com - info@blinkgroup.com

!WARNING! IMPROPER SELECTION, IMPROPER USE AND/OR FAILURE OF THE BLINK SYSTEMS PRODUCTS DESCRIBED HEREIN OR RELATED ITEMS CAN CAUSE DEATH, PERSONAL INJURY AND PROPERTY DAMAGE. This document and other information from Blink, provide product and/or system options for further investigation by users having technical expertise. It is important to analyze all aspects of the application, including consequences of any failure. Due to the variety of operating conditions and applications for these product(s), the manufacturer of the application is solely responsible for marking the final selection of the product(s) and assuring that all performance, safety and warning requirements of the application are met. The products described herein, including without limitation, product features, specifications, designs, availability and pricing, are subject to change by Blink at any time without notice.